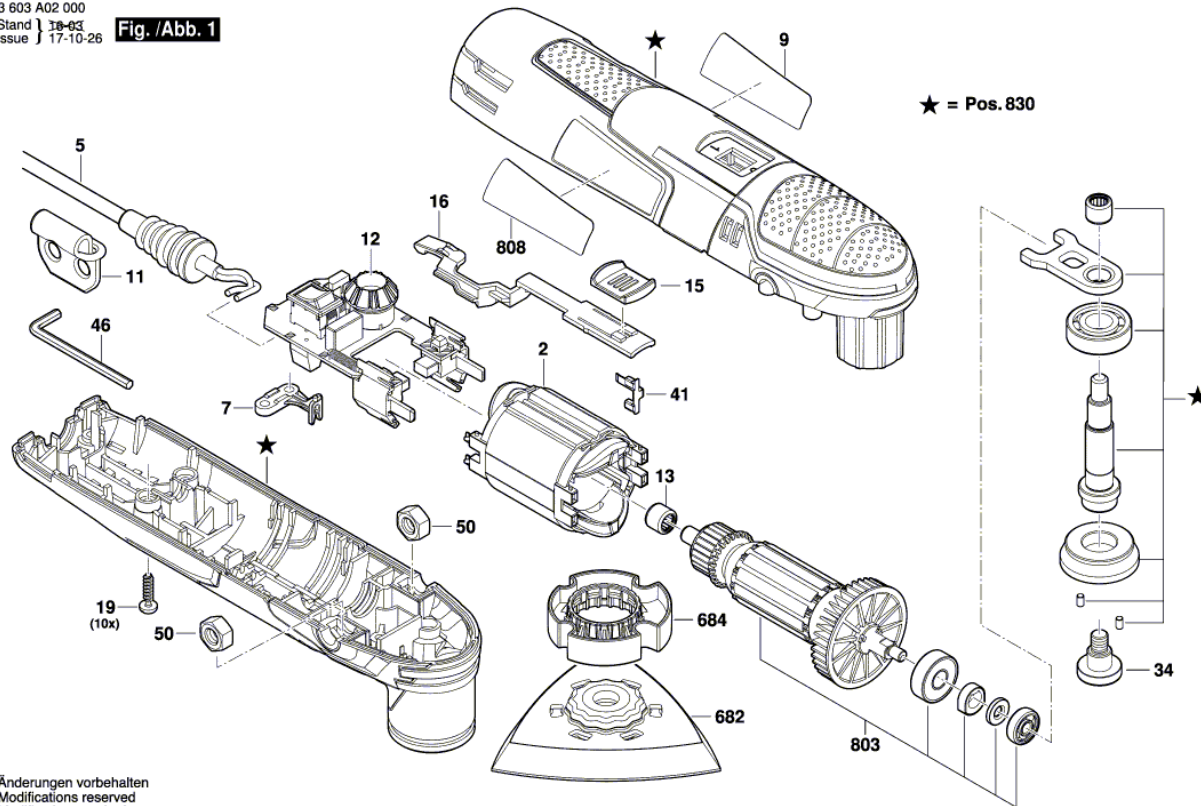


Illustration - Type - E

3 603 A02 000
Stand | 18-04
Issue | 17-10-26

Fig./Abb. 1



Änderungen vorbehalten
Modifications reserved
Modifications réservées
Salvo modificaciones

Spare parts list

Item	Part Number	Description	Illustration
2	2 609 007 814	Field	1
5	2 604 460 259	Power supply cord EU 230V 2,7m 2 x 0,75mm H05 VV-F	1
7	2 609 006 171	Cable Clip	1
9	1 601 11C 0KM	Manufacturer's nameplate PMF 220 CE	1
9	1 601 11C 0TZ	Manufacturer's nameplate PDF Universal	1
9	1 601 11C 1J7	Manufacturer's nameplate PMF 2000 CE	1
11	2 609 006 359	Key Holder	1
12	2 609 005 719	Electronics Module	1
13	2 600 917 002	Needle bearing	1
15	2 609 005 541	Slide Button	1
16	2 609 007 716	Slider	1
19	2 603 490 022	Screw 4x16	1
34	1 603 435 07R	Hex Screw	1
41	2 601 329 037	Contact Spring	1
46	2 610 364 015	Hexagon Socket Screw Key 5 MM	1
50	2 915 011 009	Hex Nut DIN 934-M8-8-A	1
682	1 600 A00 8LS	Sander Plate	1
684	1 600 A00 87V	Depth gauge	1
803	1 604 010 B5G	Armature assembly 220-240V	1
808	1 601 11A 47G	Nameplate	1
830	1 600 A00 K1V	Drive Assembly	1